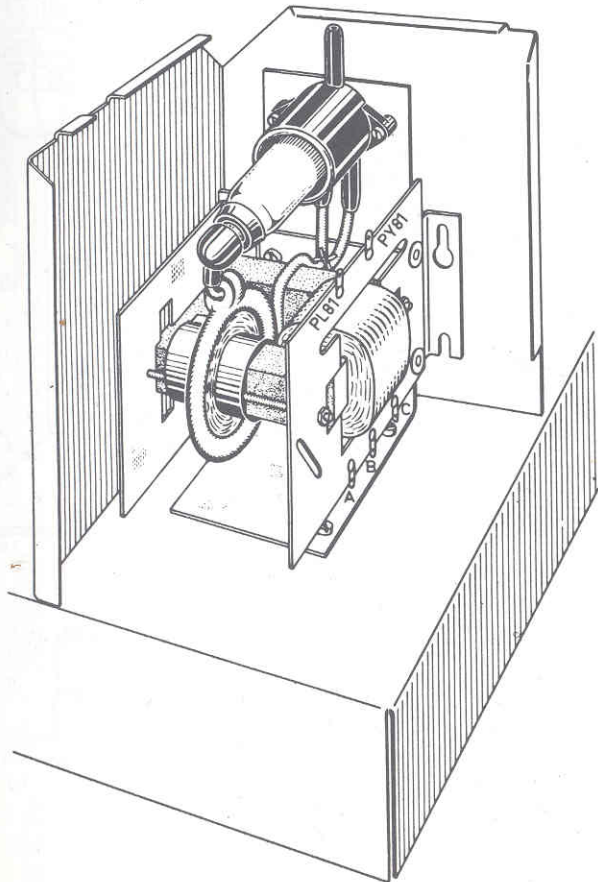
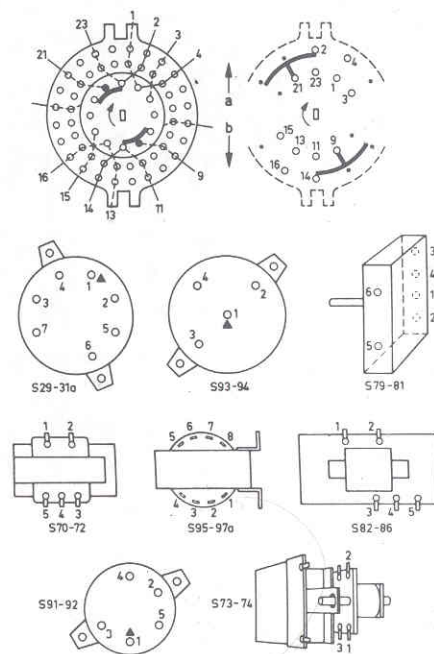
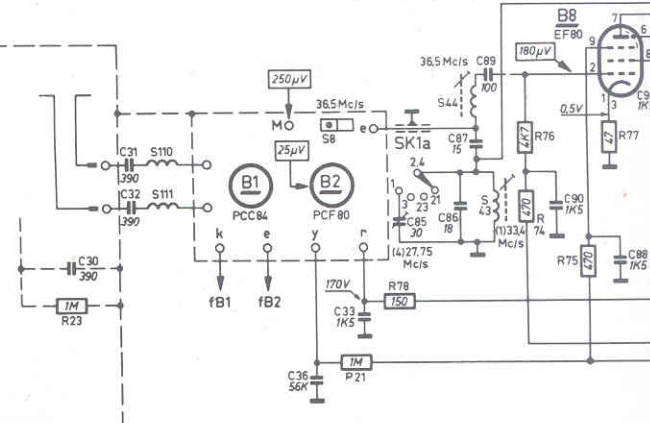
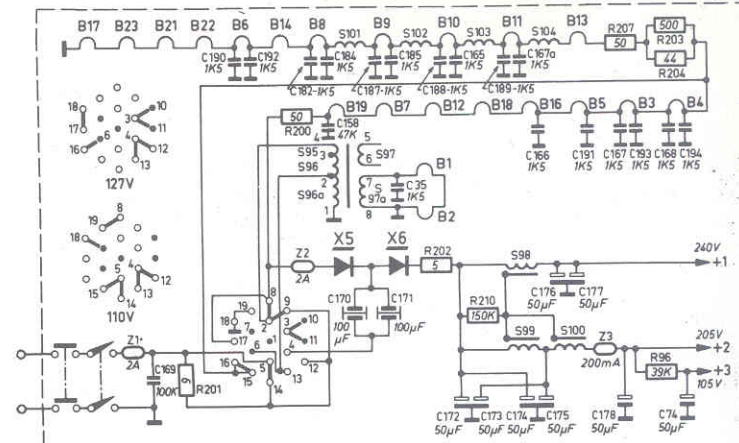


PHILIPS-SERVICE BUREAU
 TEL: 0025100035
 FAX: 0077045111
 INFO@PHILIPS-SERVICE.BE

PHILIPS



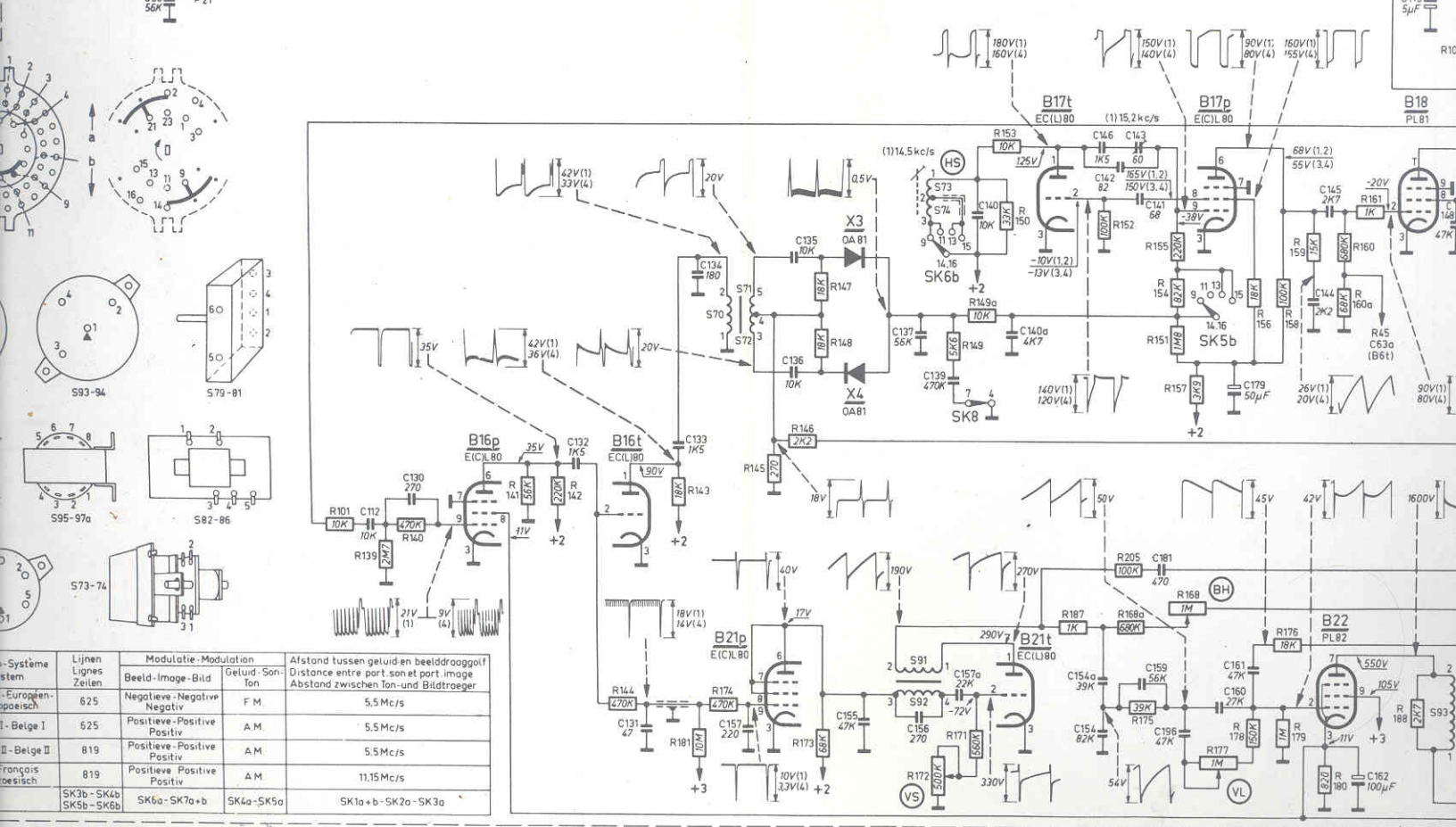
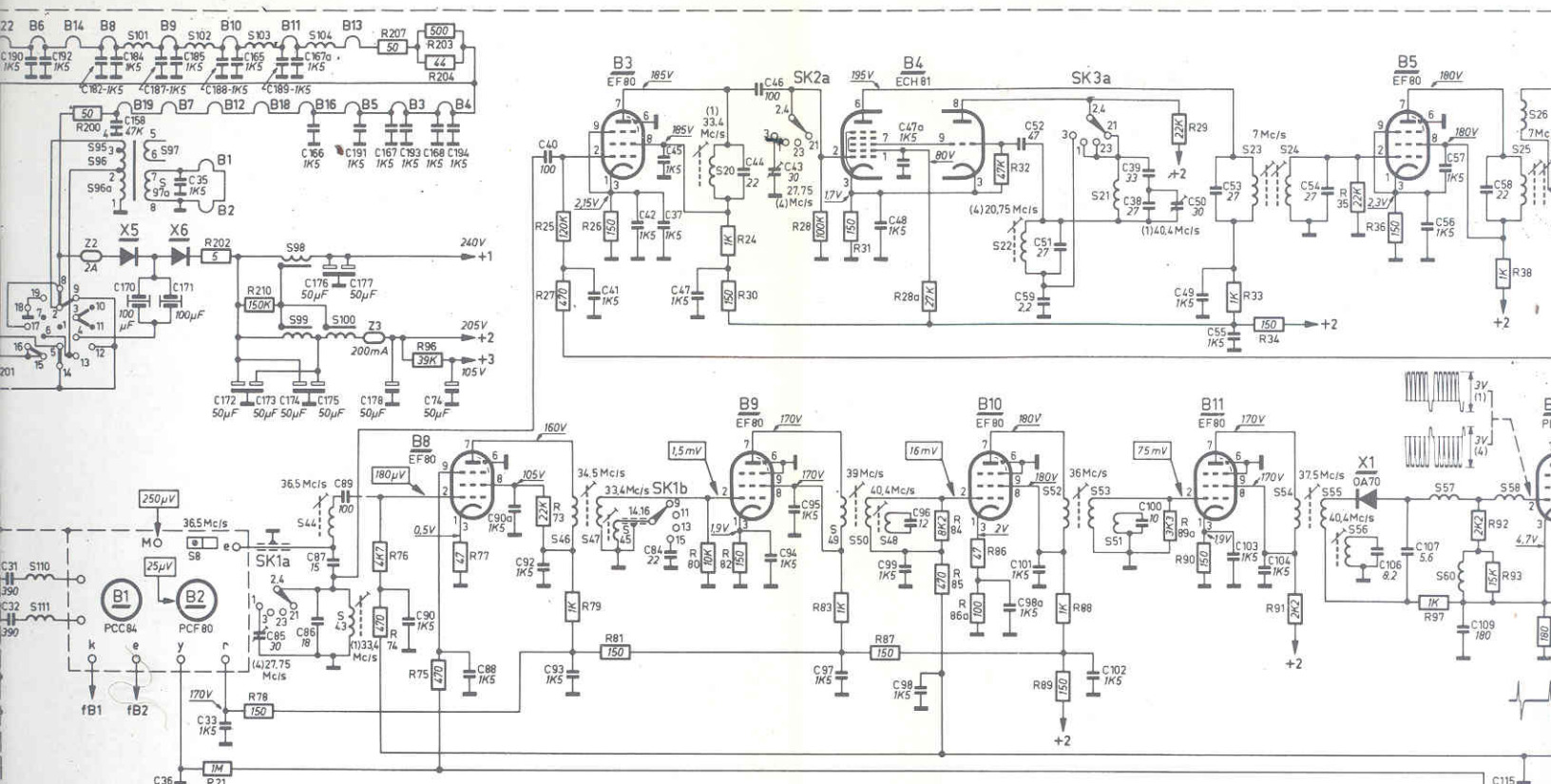
S 95,96,96a,101,97a,97, 102, 103, 98,99,104, 100.
 C 169, 190, 192, 187,158,170,84, 187,171,35,185,188,172,85,173,189,174,166,176,167,75,91,177,178,167,193,168,74,94.
 R 201, 200, 202, 210, 207, 96,203,204.



System - Système	Lijnen Lignes Zeilen	Modulatie - Modulation		Afstand tussen geluiden beeldtraag Distance entre part. son et part. imag Abstand zwischen Ton- und Bildtraag
		Beeld-Image-Bild	Geluid-Son-Ton	
1 Europees - Europeen - Europeisch	625	Negatieve - Negative - Negativ	F.M.	5,5 Mc/s
2 Belgisch I - Belge I	625	Positieve - Positive - Positiv	A.M.	5,5 Mc/s
3 Belgisch II - Belge II	819	Positieve - Positive - Positiv	A.M.	5,5 Mc/s
4 Frans - Français - Französisch	819	Positieve - Positive - Positiv	A.M.	11,15 Mc/s
		SK3b - SK4b - SK5b - SK6b	SK6a - SK7a + b	SK4a - SK5a
				SK1a + b - SK2a - SK3a

S 110,111, 44, 43.
 C 30, 31,32, 36, 33, 85, 86,87, 89, 112, 90,130, 88.
 R 23, 21, 78, 101,74,139,76, 75,140, 77.

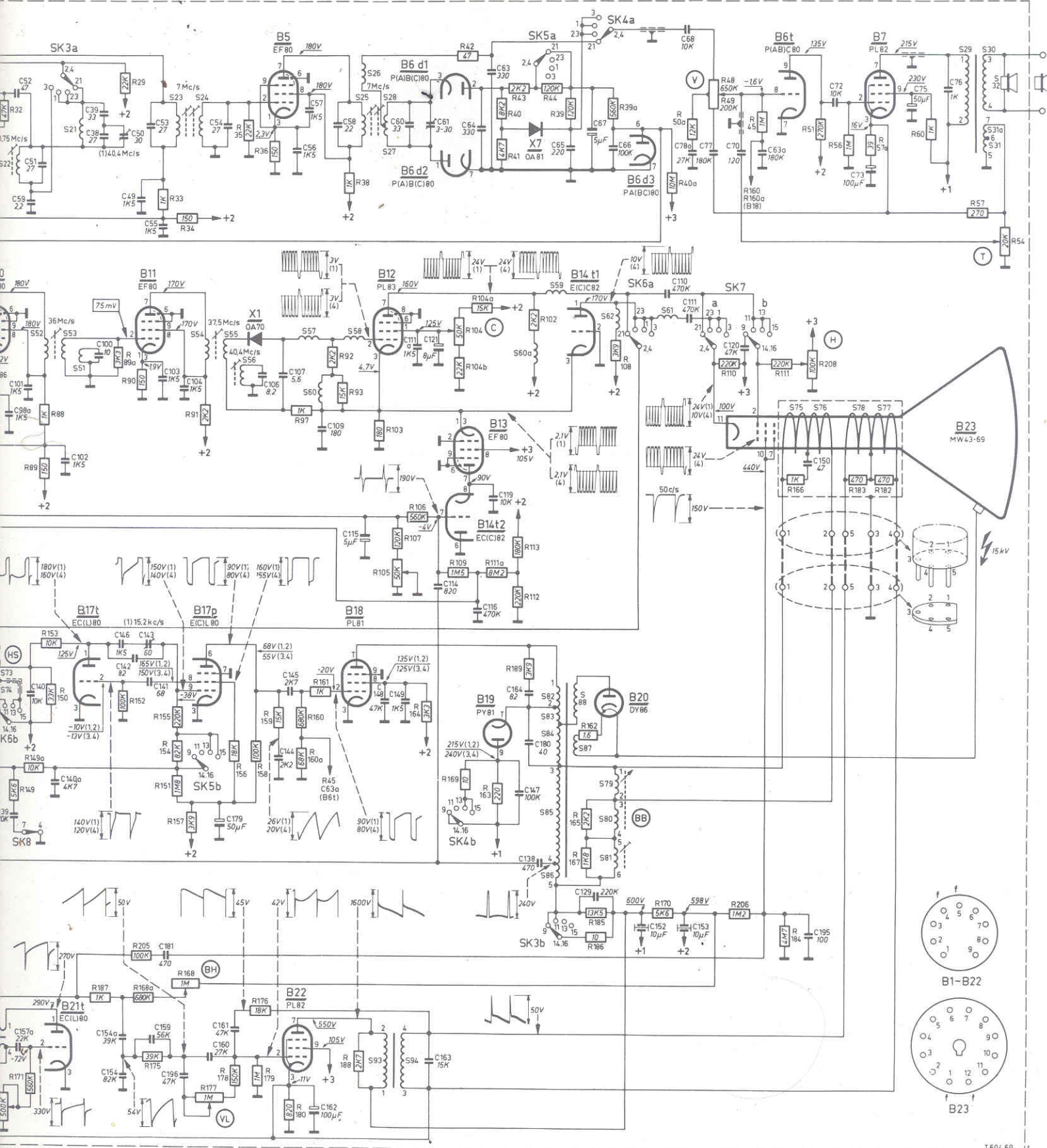
95.96.96a 101.97a 97. 102. 103. 98.99. 104. 100. 46. 47. 45. 20. 49. 50.48. 22. 52. 53.21. 51. 23. 54.24. 55. 56. 57.60. 58.25. 26. 2
 190. 192. 187. 58.170. 84. 187. 71.35.185.188.172.165.173.189.174.166.176.167.175.151.171.78.167.193.168.174.194. 40.83. 41. 42.84.45.37.47. 44. 46.94.43.95.97. 99.48.47.96.98. 101.98a.59.52.51. 102. 38.39.100. 49.50. 55.53.103. 104. 54. 106. 107.56.57. 109.58
 200. 202. 210. 207. 96.203.204. 25.27.73. 79.26.81. 80. 82.24.30. 28.83. 31. 87. 28a. 84.85.86a. 86.32. 89. 88. 89a.90.29. 33.34.91. 35. 36. 97. 92.93.38.



System Lijnen Lignes Zeilen	Modulatie-Modulation		Afstand tussen getuid en beeldroaagp Distance entre port son et port image Abstand zwischen Ton- und Bildtraeger
	Beeld-Image-Bild	Getuid-Son- Ton	
-Europaen- paaisch	625	Negatieve-Negative Negativ	F M 5.5 Mc/s
I-Belgie I	625	Positieve-Positive Positiv	A M 5.5 Mc/s
II-Belgie II	819	Positieve-Positive Positiv	A M 5.5 Mc/s
Francois oetsisch	819	Positieve-Positive Positiv	A M 11.15 Mc/s
	SK3b-SK4b SK5b-SK6b	SK5a-SK7a+b	SK4a-SK5a
			SK1a+b-SK2a-SK3a

110.111. 44. 43. 70. 71.72. 91.92. 73.74. 93.
 31.32. 36. 33. 85. 86.87. 89. 112. 90.130. 88.90a. 92. 132. 131. 133 133.134. 157. 135.136. 155. 137.156.139. 157a. 140. 140a. 154.154a.146.142.141.159.181.196. 160.161.179. 144.145. 162. 115. 148.
 21. 78. 101.74.139.76. 75.140. 77. 141. 142. 144. 181.143. 174. 145. 146.173.147.148. 172. 149.149a.171.153.150. 187. 152.205.168.175.155.151.151.157.168.171.178. 156.154.176.173.159.180.160.161.188. 107.100.

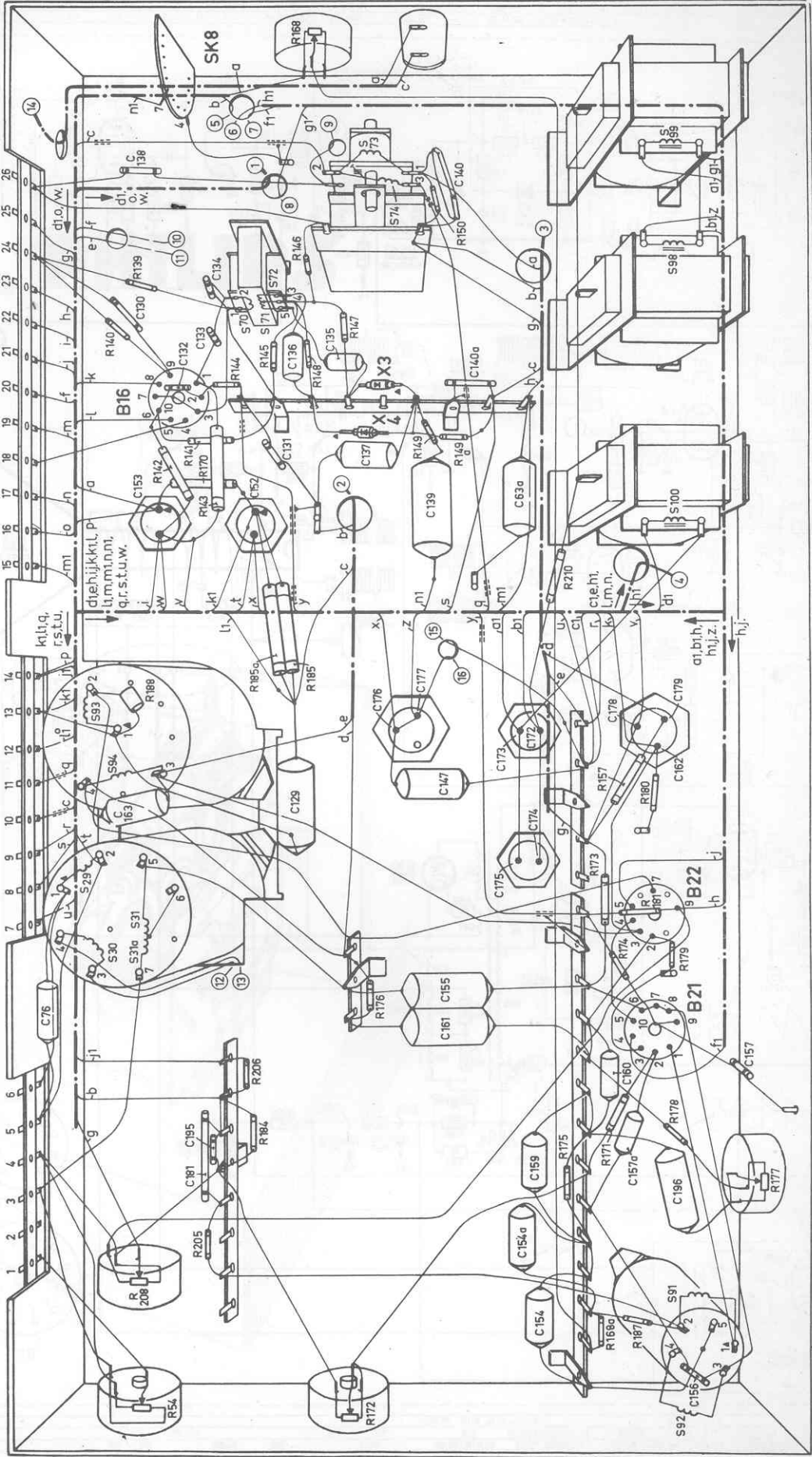
22.	52.	53,21.	51.	23	54,24.	55.	56.	57.	60.	58,25.	26.	27,28	60a.	59.	62.	61.	75.	75.	78.	77.	29.	30,31,32.		
01,98a,59,52,51.	102.	38,39,100.	49,50.	55.	53,103.	104.	54.	106.	107.	56,57.	109.	58.	60,111a.	121,61.	64.	63.	66.	110,78a,111,68,77.	70,120.	63a.	72.	73.	75.	76.
86,32.	89.	88.	89a,90,29.	33,34,91.	35.	36.	97.	92,93,38.	103.	104,42,104a,104c,40,41,43.	102,44,39.	108,99a.	50a,40a.	48,49,110.	45.	111.	51.	208,56.	57a.	60.	57.	54.		



73,74.	139.	157a.	140.	154,154a,16,142,143,141,159,161,196.	160,161,179.	144,145.	162.	115.	148.	149.	163,114.	116.	119.	164,147,180,138.	129.	152.	153.	206.	184,166.	150,195.	183.	182.
149,149a,171,153,150.	187.	152,205,168a,175,155,154,151,157,168,177,178.	156,158,176,179,159,180,160,160a,161.	188.	107,107a.	164,106.	169,109.	111a,163,189.	112,113.	165,167,162,165,166.	170.	206.	184,166.	150,195.	183.	182.						

A,14TX112A,21CX102A,17CX102A,14TX113A,21TX111A,21TX103A en 17TX112A

S	92.	91.	30,300,31.	29.	94.	93.	100.	70,71.	72,98.	74.	73,99.		
C	156.	154.	154a.	156, 157, 161, 76, 155.	175	174, 163, 129, 42, 162, 173, 2, 178, 176, 179, 177.	139, 63a, 152, 153, 171, 131.	140a, 136, 132, 135, 133, 130, 134.	140, 138.				
R	172, 54.	168a, 187.	208.	205.	177, 171, 175, 184, 178.	206.	180, 157.	188, 185, 189a.	210.	143, 142, 170, 141, 149, 149.	148, 144, 145, 140, 147.	139, 146, 150.	188.



S	68 78a	35	116	33	41	E	A	1015.C	G 102	B	D	H	103	51	62	104	J 58.50	60	60*	75	121.
C	70	77	36	66	27																
C	50a	21	26	27	27																
R	49 48	57																			

